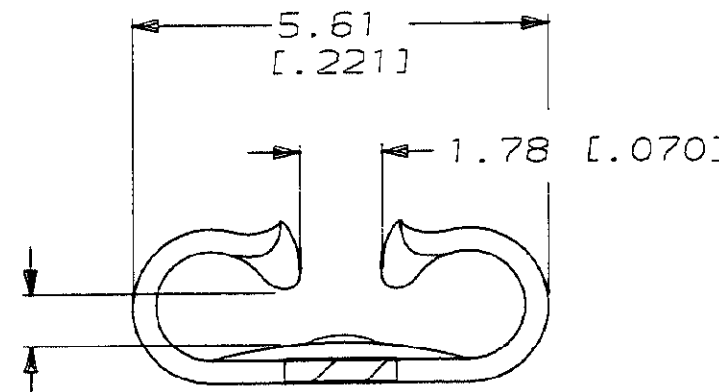
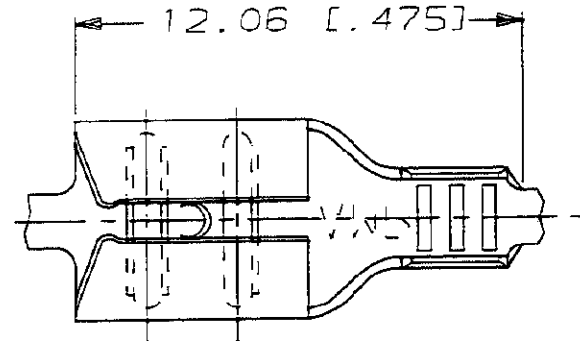


THIS DRAWING IS UNPUBLISHED. RELEASED FOR PUBLICATION
 © COPYRIGHT 19 BY AMP INCORPORATED. ALL INTERNATIONAL RIGHTS RESERVED.

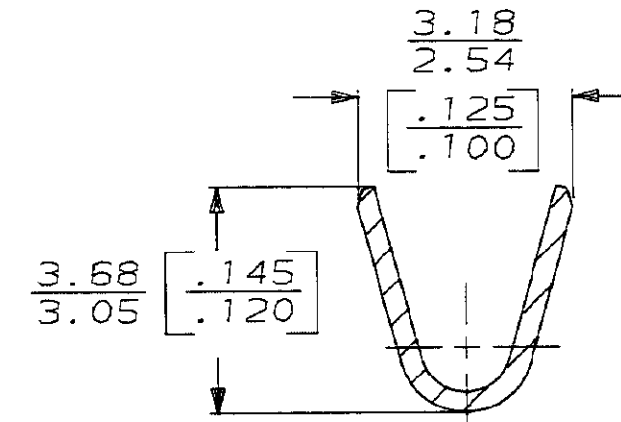
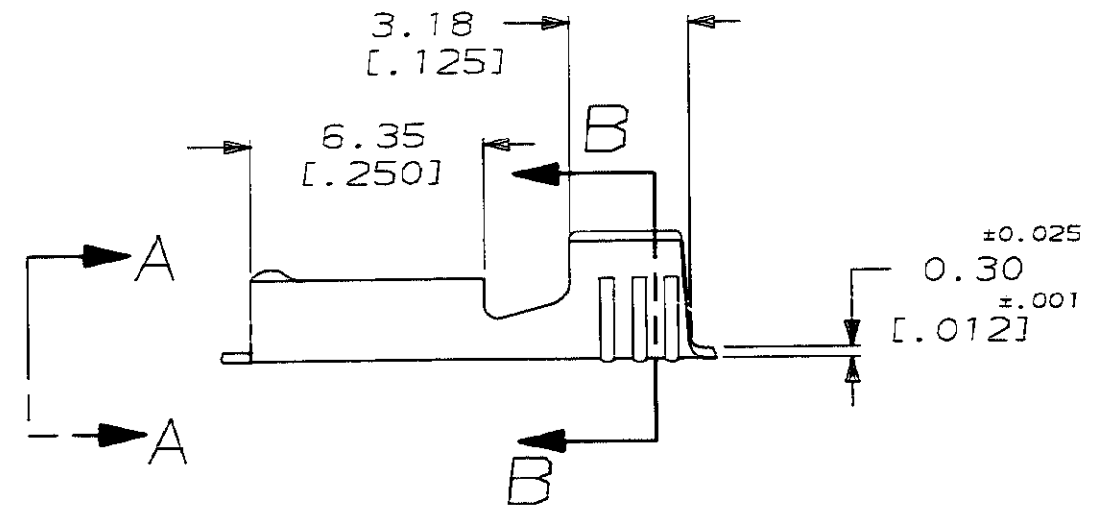
LOC	DIST	P	F	ZONE	LTR	DESCRIPTION	DATE	APPD
AF	50				D	REDRAWN AF-7554	8/27/91	JR/PF



FITS 4.75 [0.187] SERIES FASTON TAB

VIEW A-A
SCALE 10:1

- 1 CONTINUOUS STRIP ON REELS
- 2 TIN PLATE 0.002032 [0.000080] MIN THK.



SECTION B-B
SCALE 10:1

METRIC

TIN Δ	0.5-1.3mm ² [20-16] AWG	0.51 [0.020]	42799-2 42799-1
FINISH	WIRE SIZE	MATING TAB THK ±0.025 [0.001]	PART NO
DO NOT SCALE PRINT. UNLESS SPECIFIED DIMENSIONS IN mm [INCHES] TOLERANCES ON: 2 PLC DEC ± 0.38 [0.015] 3 PLC DEC ± - ANGLES ± -	DR 8/27/91 JR RUTH CHK 8/27/91 P FORTNEY APPD 8/27/91 C MEYERS APPD 8/27/91 D REINER PRODUCT SPEC -	AMP AMP Incorporated Harrisburg, PA 17105-3608 NAME RECEPTACLE, FASTON™ 4.75 [0.187] SERIES	
MATERIAL #4H BRASS	APPLICATION SPEC -	SIZE B	CAGE CODE 00779
FINISH SEE TABLE	WEIGHT -	SCALE 5:1	DRAWING NO 42799
		SHEET 1 OF 1	